

OPERATING and MAINTENANCE INSTRUCTIONS

Models: H137UA9B Series Hot Cabinets

H137SUA9 Series Hot Cabinets

ELECTRICAL SPECIFICATIONS:

Model No.	Volts	Watts	Amps	Hertz	Phase	NEMA
H137UA9B H137SUA9	120	1500	12.5	60	1	5-15P
H137UA9B 240 H137SUA9 240	240	1500	6.3	60	1	6-15P
H137UA9B 208 H137SUA9 208	208	1500	7.2	60	1	6-15P

Models are:

Designed for AC service.

HOW TO INSTALL UNIT:

1. Place cabinet on level floor.
 2. Plug cord end into proper wall outlet.
 3. Fill water pan if humidity is required.
- NOTE:** Pan holds 2 quarts (1.9 liters) of water.

HOW TO START UNIT:

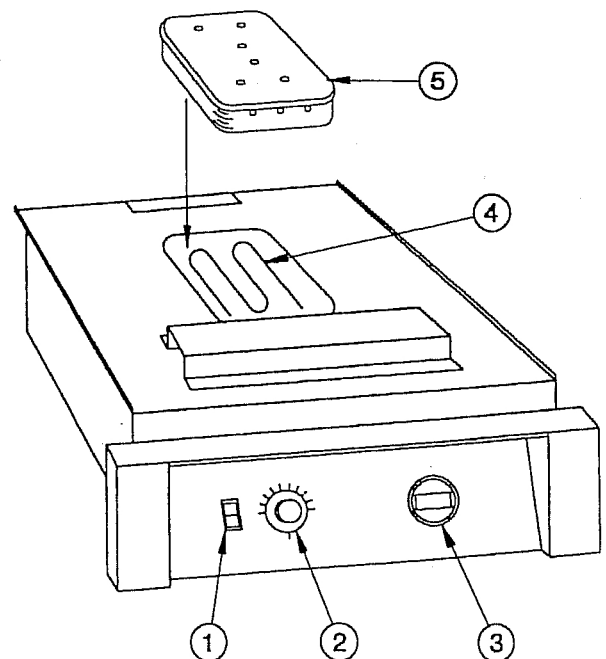
1. Turn the "POWER" switch on.
The yellow light will turn on.
 2. Turn thermostat to #10.
 3. Preheat cabinet for 30 minutes.
 4. Put food into cabinet.
 5. Turn thermostat to #8 and close door.
- NOTE:** No.8 is about 185° F. (85° C).
No.6 is about 155° F. (68° C).
No.4 is about 125° F. (52° C).

Proper food holding temperature is 140° F (60° C) or higher.

The thermometer shows the temperature inside.

TO TURN OFF UNIT:

Turn the "POWER" switch off.
The yellow light will go out.



PARTS IDENTIFICATION

1. Power Switch
2. Thermostat
3. Temperature Display
4. Heater
5. Water Pan w/cover

Insulated Hot Cabinet	FL-2200
	Page 2 of 4



5925 Heisley Road • Mentor, Ohio 44060-1833

OPERATING and MAINTENANCE INSTRUCTIONS

Models: H137UA9B Series Hot Cabinets
H137SUA9 Series Hot Cabinets

MAINTENANCE:

HOT UNIT REMOVAL INSTRUCTIONS:

1. Unplug power cord from wall outlet.
2. Slide entire unit out the front of the cabinet.

▲WARNING

BEFORE CLEANING THE CABINET:

1. Allow Cabinet to Cool.
2. Remove Hot Unit From Cabinet.
3. Do *NOT* Use Abrasives or Harsh Chemicals.

Is your cabinet of *aluminum* or *stainless steel* construction? Be sure your cleaner is suitable for that material.

Cleaning Notes:

1. Wipe up spills as soon as possible.
2. Clean cabinet regularly to avoid heavy dirt build-up.
3. Make a test spot with cleaner.
4. Follow manufacturer's directions on cleaner
5. Do not mix cleaners.
6. Avoid drips and splashes.
7. Empty water pan at least once a week.

HOW TO CLEAN UNIT:

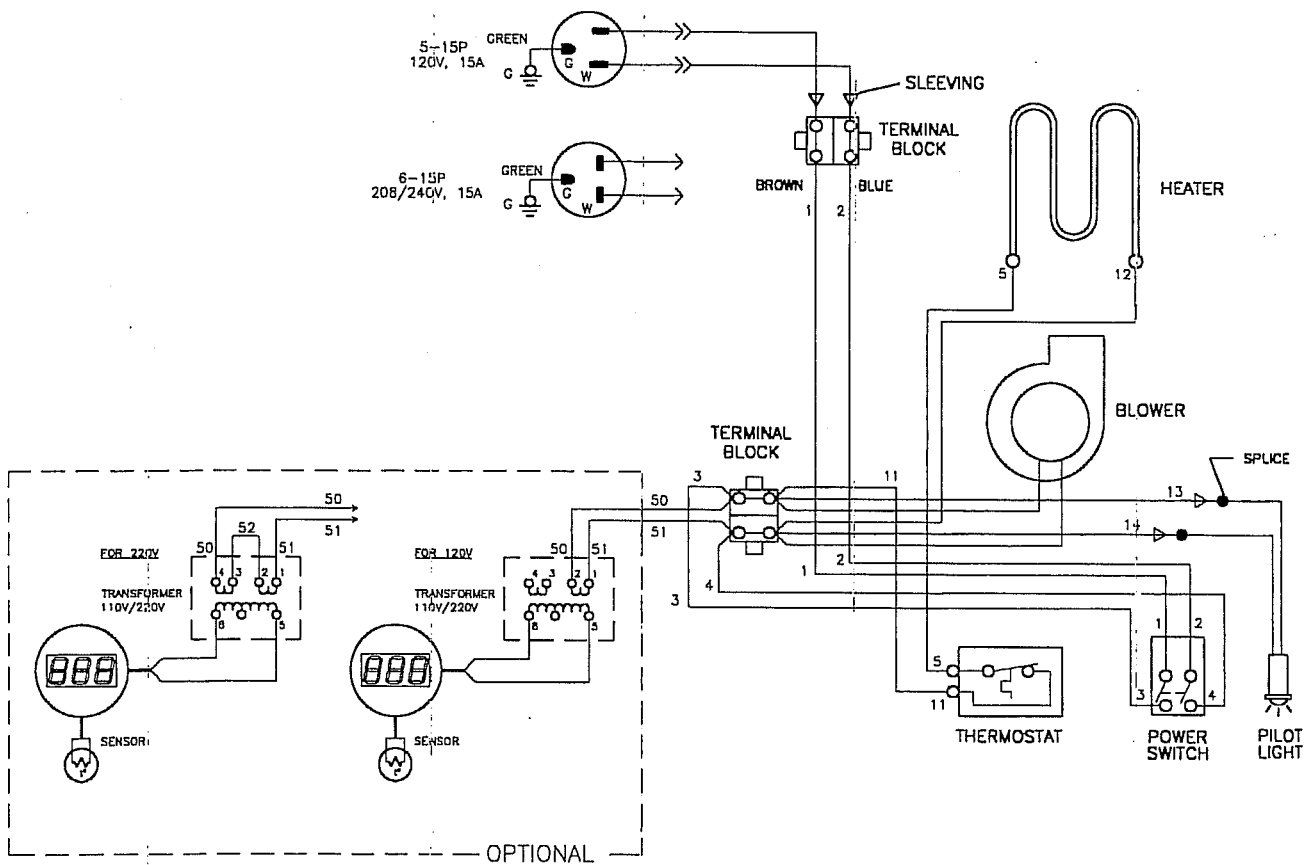
	Soil	Cleaner	Method
ALUMINUM Cabinets have "B" in Model No.	Dirt	Mild detergent* and hot water, or mild abrasive cleaner.	1. Use soft, damp cloth. 2. Rinse with hot water. 3. Wipe dry.
		Steam (No strong alkaline additive)	1. Rinse after steam cleaning. 2. Wipe dry.
STAINLESS STEEL Cabinets have "S" in Model No.	Fingerprints, Grease and Oil.	Chemical oven cleaner.	Follow Oven Cleaner manufacturer's directions.
		Mild abrasive cleaner; oily or waxy cleaner.	Apply with clean, soft cloth.
	Water spots	Mild abrasive cleaner.	1. Apply with damp cloth. 2. Rinse and dry.

*Mild detergents include soaps and non-abrasive cleaners.

OPERATING and MAINTENANCE INSTRUCTIONS

Models: H137UA9B Series Hot Cabinets
H137SUA9 Series Hot Cabinets

WIRING DIAGRAM



ELECTRICAL SPECS.
MODEL # 0671-129, -178 1500W, 120V, 60H, 1 Ph AC SERVICE
MODEL # 0671-130, -180 1500W, 240V, 60HZ, 1 Ph AC SERVICE
MODEL # 0671-131, -179 1500W, 208V, 60H, 1 Ph AC SERVICE



5925 Heisley Road • Mentor, Ohio 44060-1833

Insulated Hot Cabinet	FL-2200
	Page 3 of 4

OPERATING and MAINTENANCE INSTRUCTIONS

Models: H137UA9B Series Hot Cabinets
H137SUA9 Series Hot Cabinets

TROUBLE-SHOOTING CHART:

FAILURE	Possible Cause
1. Yellow light at switch does NOT light.	1a. Circuit breaker/fuse to wall outlet blown. 1b. Cord unplugged from wall outlet. 1c. Switch is "off."
2. Unit does not heat.	2a. Thermostat set too low or is "off." 2b. Switch is "off."
3. Unit gets too hot or won't shut off.	3a. Defective electrical parts. UNPLUG UNIT FROM WALL OUTLET.
4. Blower does not work or makes noise.	4a. Defective Blower.
5. Excess moisture in cabinet.	5a. Do NOT add water to water pan. 5b. "Slack out" foods from oven or fryer for 5 minutes before putting in hot cabinet.

NOTE: Optional digital thermometer will flash if cabinet temperature is below 140° F or above 250° F. Call the Factory if you need different settings.

If cause is none of the above, refer to our list of Authorized Service Centers, FL- 1400.

REPLACEMENT PARTS:

DESCRIPTION	. 120 Volt	240 Volt	208 Volt
Hot Unit (Aluminum, 23" wide)	HU-18-671-129	HU-18-671-130	HU-18-671-131
Hot Unit (Stainless St., 23.5" wide)	HU-18-671-178	HU-18-671-180	HU-18-671-179
Water Pan, Complete	1017-001-03	1017-001-03	1017-001-03
Blower Kit	0769-005-K	0769-006-K-1	0769-006-K-1
Heater Kit	0811-019-K	0811-020-K	0811-020-01-K
Thermostat Kit	0848-062-K	0848-062-K	0848-062-K
Thermometer Kit (Analog)	5238-030-K	5238-030-K	5238-030-K
Thermometer Kit (Digital F°)	5238-034-K	5238-034-K	5238-034-K
Therm. F° only	5238-034	5238-034	5238-034
Transformer 110/220V only	0769-159	0769-159	0769-159
Thermometer Kit (Digital C°)	5238-034-K1	5238-034-K1	5238-034-K1
Therm. C° only	5238-034-1	5238-034-1	5238-034-1
Transformer 110/220V only	0769-159	0769-159	0769-159
Power Cord	0810-038	0810-039	0810-039
Power Switch	0808-116	0808-116	0808-116
Pilot Light	0766-094	0766-095	0766-095
Hinge Kit	0519-087	0519-087	0519-087
Gasket Kit	0861-199-K		