

OPERATING and MAINTENANCE INSTRUCTIONS

Models: H137UA9 Series Hot Cabinets

ELECTRICAL SPECIFICATIONS:

Model No.	Volts	Watts	Amps	Hertz	Phase	NEMA
H 137UA9 Series	120	1500	12.5	60	1	5-15P
H 137UA9 Series w/240 Suffix	240	1500	6.3	60	1	6-15P
H 137UA9 Series w/208 Suffix	208	1500	7.2	60	1	6-15P

Models are: Approved by *National Sanitation Foundation* under Standard 4.
Listed by *Underwriters' Laboratories* under file E27846.
Designed for AC service.

HOW TO INSTALL UNIT:

1. Place cabinet on level floor.
2. Plug cord end into proper wall outlet.
3. Fill water pan if humidity is required.

NOTE: Pan holds 2 quarts (1.9 liters) of water.

HOW TO START UNIT:

1. Turn the "POWER" switch on. The Yellow light will turn on.
2. Turn thermostat to #10.
3. Preheat cabinet for 30 minutes.
4. Put food into cabinet.
5. Turn thermostat to #8 and close door.

NOTE: #8 is about 185° F (85° C).

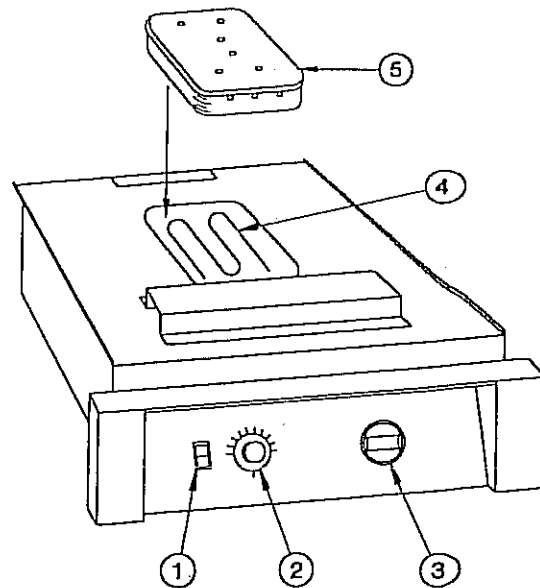
#6 is about 160° F (71° C).

#4 is about 130° F (54° C).

Proper food holding temperature is 140° F (60° C) or higher. Thermometer shows the temperature inside cabinet.

TO TURN OFF UNIT:

Turn the "POWER" switch off.
The Yellow light will go out.



PARTS IDENTIFICATION

1. Power Switch
2. Thermostat
3. Temperature Display
4. Heater
5. Water Pan w/Cover

OPERATING and MAINTENANCE INSTRUCTIONS

Models: H137UA9 Series Hot Cabinets

MAINTENANCE

HOT UNIT REMOVAL INSTRUCTIONS:

1. Unplug power cord from wall outlet.
2. Remove two (2) screws, one (1) each side, found near the base toward the front of the cabinet.
3. Slide entire unit out the front of the cabinet.

WARNING

BEFORE CLEANING THE CABINET:

1. Allow Cabinet to Cool.
2. Remove Hot Unit From Cabinet.
3. Do NOT Use Abrasives or Harsh Chemicals.

Cleaning Notes:

1. Wipe up spills as soon as possible.
2. Clean cabinet regularly to avoid heavy dirt build-up.
3. Make a test spot with cleaner.
4. Follow manufacturer's directions on cleaner.
5. Do not mix cleaners.
6. Avoid drips and splashes.
7. Empty water pan at least once a week.

HOW TO CLEAN THE UNIT:

	Soil	Cleaner	Method
DOORS AND CABINET Inside and Outside <i>(Aluminum)</i>	Dirt	Mild detergent* and hot water, or mild abrasive cleaner.	1. Use soft, damp cloth. 2. Rinse with hot water. 3. Wipe dry.
		Steam (no strong alkaline additive)	1. Rinse after steam cleaning. 2. Wipe dry.
	Fingerprints, Grease and Oil	Chemical oven cleaner for Aluminum.	Follow Oven Cleaner manufacturer's directions.
		Mild abrasive cleaner; oily or waxy cleaner.	Apply with clean, soft cloth.
	Water spots	Mild abrasive cleaner.	1. Apply with damp cloth. 2. Rinse and dry.

**Mild detergents include soaps and non-abrasive cleaners.*

OPERATING and MAINTENANCE INSTRUCTIONS

Models: H137UA9 Series Hot Cabinets

TROUBLE-SHOOTING CHART:

FAILURE:	Possible Cause:
1. Yellow light at switch does not light.	1a. Circuit breaker/fuse to wall outlet blown. 1b. Cord unplugged from wall outlet. 1c. Switch is "off."
2. Unit does not heat.	2a. Thermostat set too low or is "off." 2b. Switch is "off."
3. Unit gets too hot. or won't shut off.	3a. Defective electrical parts. UNPLUG UNIT FROM WALL OUTLET.
4. Blower does not work or makes noise.	4a. Defective Blower.
5. Excess moisture in cabinet.	5a. Do NOT add water to water pon. 5b. "Slack out" foods from oven or fryer for 5 minutes before putting in hot cabinet.

NOTE: The Digital Thermometer will flash if cabinet temperature is below 140° F/60° C or above 250° F/121° C. Call the factory if you need different settings.

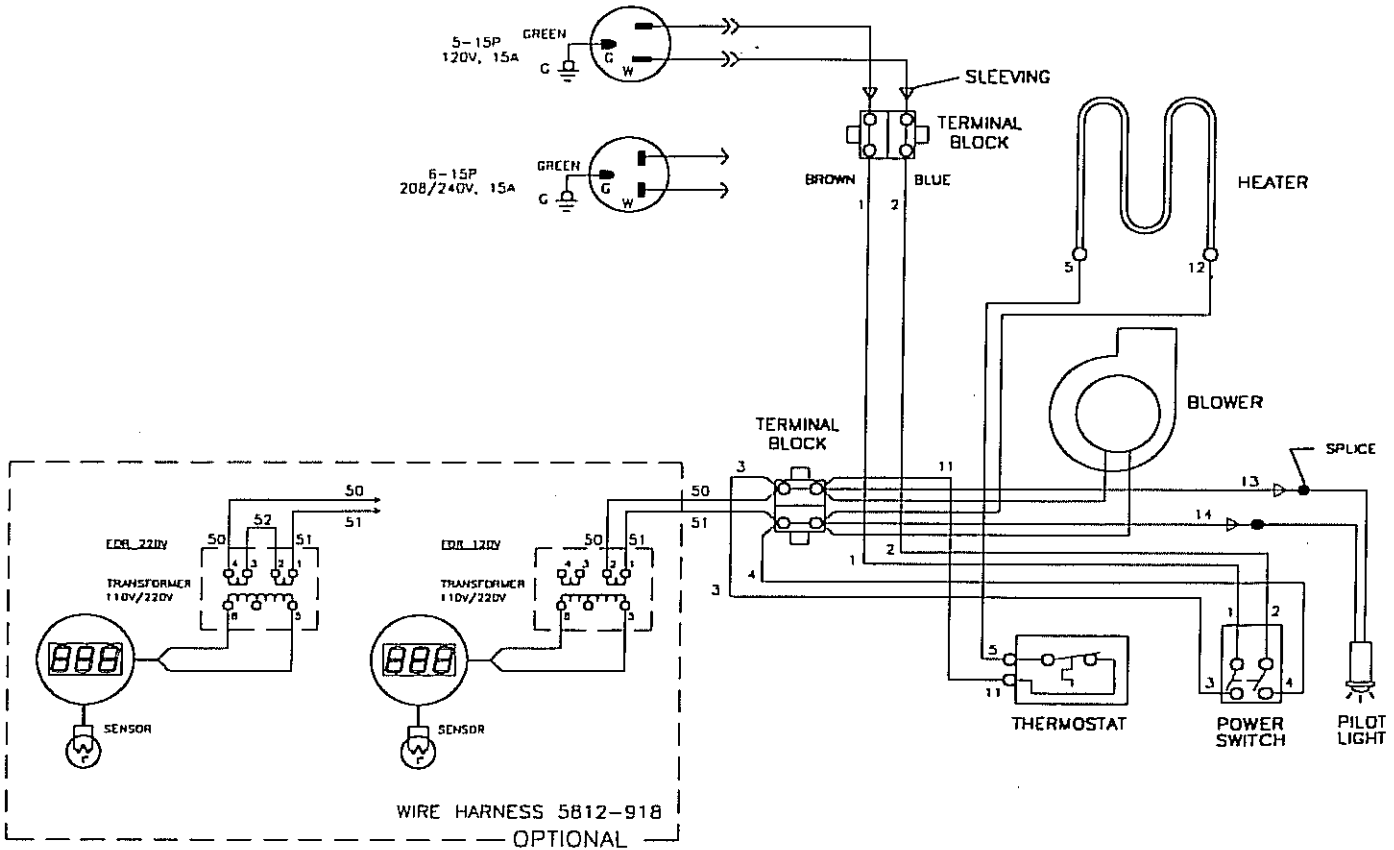
REPLACEMENT PARTS:

DESCRIPTION	120 Volt	240 Volt	208 Volt
Hot Unit.....	HU-18-671-110.....	HU-18-671-111.....	HU-18-671-126
Water Pan, Complete.....	1017-001-03.....	1017-001-03.....	1017-001-03
Blower Kit.....	0769-005-K.....	0769-006-K-1.....	0769-006-K-1
Heater Kit.....	0811-019-K.....	0811-020-K.....	0811-020-01-K
Thermostat Kit.....	0848-062-K.....	0848-062-K.....	0848-062-K
Thermometer Kit (Analog).....	5238-030-K.....	5238-030-K.....	5238-030-K
Thermometer Kit (Digital ° F).....	5238-034-K.....	5238-034-K.....	5238-034-K
Therm. ° F only.....	5238-034.....	5238-034.....	5238-034
Transformer, 110/220V only.....	0769-159.....	0769-159.....	0769-159
Thermometer Kit (Digital ° C).....	5238-034-K1.....	5238-034-K1.....	5238-034-K1
Therm. °C only.....	5238-034-1.....	5238-034-1.....	5238-034-1
Transformer, 110/220V only.....	0769-159.....	0769-159.....	0769-159
Power Cord.....	0810-038.....	0810-039.....	0810-039
Power Switch.....	0808-116.....	0808-116.....	0808-116
Pilot Light.....	0766-094.....	0766-095.....	0766-095
Gasket Kit.....	0861-200.....	0861-200.....	0861-200
Door Latch Kit.....	1006-123-01-K.....	1006-123-01-K.....	1006-123-01-K
Latch Strike Kit.....	1006-123-02-K.....	1006-123-02-K.....	1006-123-02-K
Hinge Kit, R.H.....	0519-023-K.....	0519-023-K.....	0519-023-K
Hinge Kit, L.H.....	0519-024-K.....	0519-024-K.....	0519-024-K

Air Tunnel 6217-001 for "B" series & no "B" series

OPERATING and MAINTENANCE INSTRUCTIONS

Models: H137UA9 Series Hot Cabinets



LEGEND:

A - Amber "Power Light"
 BM - Blower Motor

NOTE:

Wire Harness 5812-899;
 for digital thermometer,
 add 5812-918

MODEL #0671-110 Series
 1500W, 120V, 60Hz, 1Ph

MODEL #0671-111 Series
 1500W, 240V, 60Hz, 1Ph

MODEL #0671-126 Series
 1500W, 208V, 60Hz, 1Ph