

OPERATING and MAINTENANCE INSTRUCTIONS

For Model H-137 Universal Hot Cabinet with CMP-HU-18-671-5, -6, -67 and -68 Hot Units

ELECTRICAL SPECIFICATIONS:

Model No.	Volts	Watts	Amps	Hertz	Phase	NEMA
H-137-UA-12, -UG4, -US4, -UPC64, -1833, -90B	120	2075	17.3	60	1	5-20
H-137-UA-12, -UG4, -US4, -UPC64, -1833, -90B (-240)	240	2075	8.6	60	1	6-15

All models are designed for AC service.

HOW TO INSTALL CABINET MODELS -UA, -UG, -US and -UPC:

(Refer to cabinet data plate to see if the above letters are in your model number.)

1. Remove all packing material from inside of cabinet.
2. INSTALL ALL ANGLES AND SHELVES **BEFORE** UNIT IS TURNED ON.

Shelves:

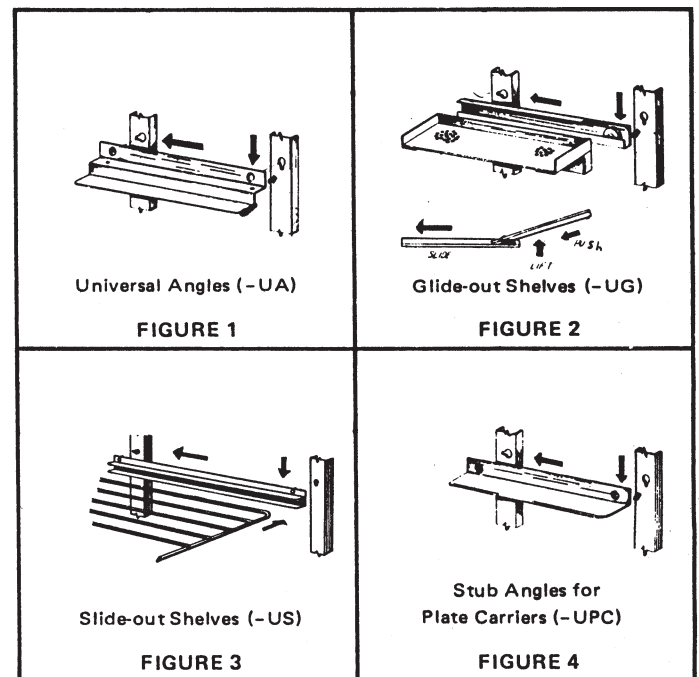
-US model (Fig. 3) and -UPC model (Fig. 4) shelves slide in and out of angles.

-UG model shelves (See Fig. 2).

- a. Insert bottom edge of shelf between rollers.
- b. Lift up front end of shelf until shelf is in, then lower front end.
- c. Push into place.

Angles and Tracks:

- a. Check the height of the pans or carriers that are going to be used so you can figure how much space you will need between angles.
- b. Set rear pin of angle in keyhole slot in back of cabinet. Push angle back (See Figs. 1, 2, 3, and 4).
- c. Set front pin in slot in front of cabinet. Push down.



HOW TO INSTALL CABINETS: (All models)

1. Plug power cord into proper wall outlet.
2. Fill water pan with water if you want humidity. The pan will hold 2 quarts, but experience will tell you how much water to use.

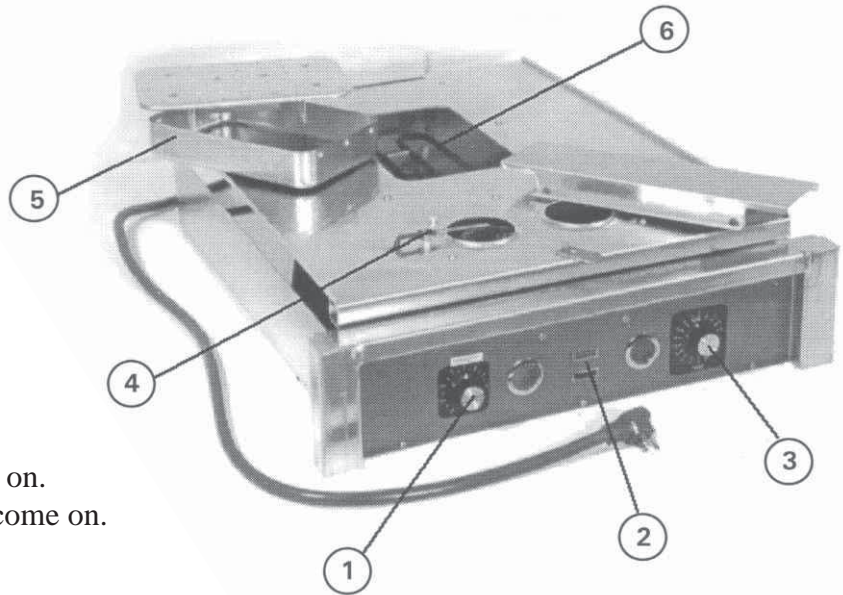
Model H-137	FL-1469
Rev. 17 (3/10)	Page 2 of 4

OPERATING and MAINTENANCE INSTRUCTIONS

For Model H-137 Universal Hot Cabinet with CMP-HU-18-671-5, -6, -67 and -68 Hot Units

PARTS IDENTIFICATION

1. Thermostat
2. Lights: Yellow "POWER ON"
Red "HEATING"
3. Switch
4. Probe - Thermostat
5. Water Pan
6. Heater



HOW TO START:

1. Push switch "ON". *Yellow* light will come on.
2. Turn thermostat to No. 10. *Red* light will come on.
3. Preheat cabinet for 30 minutes.
4. Put food into cabinet.
5. Turn thermostat to temperature you need.

NOTE: No. 8 is approx. 185°F (85°C).
No. 6 is approx. 160°F (71°C).
No. 4 is approx. 130°F (54°C).

Proper food holding temperature is 140°F (60°C) or higher.

HOW TO SHUT OFF:

Push switch "OFF". The *Yellow* light will go off.

MAINTENANCE

How to remove Hot Unit from Cabinet:

1. Unplug power cord from wall outlet.
2. Remove two (2) screws, one (1) on each side, found near the base toward the front of the cabinet.
3. Slide the whole unit out of the front of the cabinet.

⚠ WARNING **BEFORE** cleaning the cabinet:

1. Allow cabinet to cool.
2. Remove Hot Unit from cabinet.
3. Do NOT use abrasives or harsh chemicals.

Cleaning Notes:

1. Wipe up spills as soon as possible.
2. Clean cabinet regularly to avoid heavy dirt build-up.
3. Make a test spot with cleaner.
4. Follow manufacturer's directions on cleaner.
5. Do not mix cleaners.
6. Avoid drips and splashes.
7. Empty water pan at least once a week.

OPERATING and MAINTENANCE INSTRUCTIONS

For Model H-137 Universal Hot Cabinet with CMP-HU-18-671-5, -6, -67 and -68 Hot Units

HOW TO CLEAN UNIT:

	Soil	Cleaner	Method
DOOR <i>(Laminated Vinyl)</i>	DIRT	Mild detergent* and water.	1. Wipe with soft, damp cloth. 2. Rinse well.
	GREASE and OIL	Weak, alcohol-type cleaner.	1. Wipe with soft, damp cloth. 2. Rinse well.
CABINET <i>(Aluminum)</i> Inside and Outside	DIRT	Mild detergent* and hot water, or mild abrasive cleaner.	1. Use soft, damp cloth. 2. Rinse with hot water. 3. Wipe dry
		Steam (no strong alkaline additive).	1. Rinse after steam cleaning. 2. Wipe dry.
	FINGERPRINTS, GREASE and OIL	Chemical oven cleaner for aluminum.	Follow oven cleaner manufacturer's directions.
		Mild abrasive cleaner. Oily or waxy cleaner.	Apply with soft, clean cloth.
	WATER SPOTS	Mild abrasive cleaner.	1. Apply with damp cloth. 2. Rinse and dry.

**Mild detergents include soaps and non-abrasive cleaners.*

TROUBLE-SHOOTING CHART:

FAILURE	POSSIBLE CAUSE
1. <i>Yellow</i> light does NOT light.	1a. Circuit breaker/fuse to wall outlet is blown. 1b. Cord is unplugged from wall outlet or cabinet. 1c. Switch is "OFF".
2. <i>Red</i> light does NOT light.	2a. Thermostat turned "OFF". 2b. Thermostat set too low (light comes on when heater is on).
3. Unit does NOT get hot.	3a. Thermostat set too low or is "OFF". 3b. Switch is "OFF".
4. Unit gets too hot or won't shut off.	4a. Defective electrical parts. UNPLUG UNIT FROM WALL OUTLET.
5. Blower does not work or makes noise.	5a. Defective blower.
6. Excess moisture in cabinet.	6a. Do not add water to water pan. 6b. "Slack out" foods from oven or fryer for 5 minutes before putting in hot cabinet.

*If cause is none of the above, refer to our list of Authorized Service Centers, FL-1400.
Instructions for replacing parts are included with the replacement parts kits.*

Model H-137	FL-1469
Rev. 17 (3/10)	Page 4 of 4

OPERATING and MAINTENANCE INSTRUCTIONS

For Model H-137 Universal Hot Cabinet

with CMP-HU-18-671-5, -6, -67 and -68 Hot Units

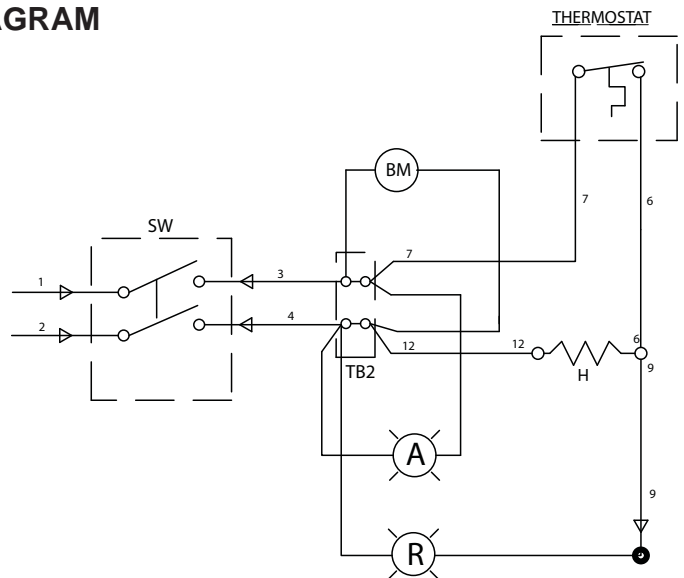
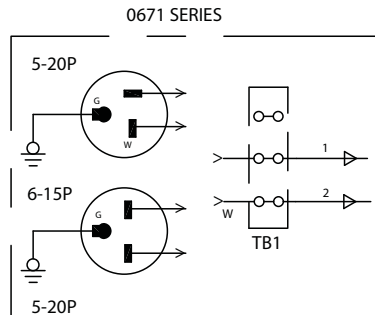
REPLACEMENT PARTS:

DESCRIPTION	120 VOLT	240 VOLT
Hot Unit	HU-18671-005	HU-18671-006
Hot Unit	HU-18671-067	HU-18671-068
(for models H-137-90B, H-137-UPC-96)		
Water Pan, complete	1017-001-03	1017-001-03
Heater Kit	0811-022-K	0811-023-K
Blower Kit	0769-180-K	0769-182-K
Thermostat Kit	0848-062-K	0848-062-K
Inlet Flange	0713-027	
Latch, Spring compression	1246-011	1246-011
Thermostat Knob	0595-061	0595-061
Switch	0808-116	0808-116
Power Light (Yellow)	0766-048	0766-045
Heater Light (Red)	0766-047	0766-046
Thermometer Kit	5238-008-K	5238-008-K
Terminal Block (Front)	0852-091	0852-091
Terminal Block (Rear)	0978-007-K	0978-007-K
Timer	0849-008-K	0849-009-K
Power Cord	0810-093	0810-039
Door Latch Kit	1006-108-K1	1006-108-K1
Gasket Kit	0861-175	0861-175
Hinge Kit, R.H.	0519-106-K	0519-106-K
Hinge Kit, L.H.	0519-106-K	0519-106-K

WIRING DIAGRAM

LEGEND

- A Amber Pilot Light - "Power On"
- R Red Pilot Light - "Heating"
- S Sensor
- SW Switch
- H Heater
- M Motor
- BM Blower Motor
- TB1 Terminal Block
- TB2 Terminal Block
- TH Thermostat
- 5-20P Plug 110V, 20A
- 6-15P Plug 220V, 15A
- △ Slewing
- Splice



ELECTRICAL SPECS

671-5, 11 & 67
110/120V., 2075W.
1 Ph., 60 Hz
AC Service

671-6, 12 & 68
220/240V., 2075W.
1 Ph., 60 Hz
AC Service

NOTE:

A. 120V Units - Attach wire #11 to Terminal #9 of TCB.

240V Units - Attach wire #11 to Terminal #10 of TCB