

## OPERATING and MAINTENANCE INSTRUCTIONS

### Models: 130B and 131B Series Hot Cabinets

#### ELECTRICAL SPECIFICATIONS:

Model No.	Volts	Watts	Amps	Hertz	Phase	NEMA
130B & 131B Series	120	2000	17.3	60	1	5-20P
131B & 131B Series w/240 suffix	240	2000	8.6	60	1	6-15P

All are designed for AC service.

#### HOW TO INSTALL UNIT:

1. Place cabinet near warm ovens. Do *NOT* put in drafty areas or near ventilating systems.
2. Plug cord end into proper wall outlet.
3. Fill water pan if humidity is required.

**Note:** Pan holds 2 quarts (1.9 liters) of water.

#### HOW TO START UNIT:

1. Turn the POWER switch on. The *yellow* light will turn on.
2. Turn thermostat to #10.
3. Preheat cabinet for 30 minutes.
4. Put food into cabinet.
5. Turn thermostat to #8 and close door.

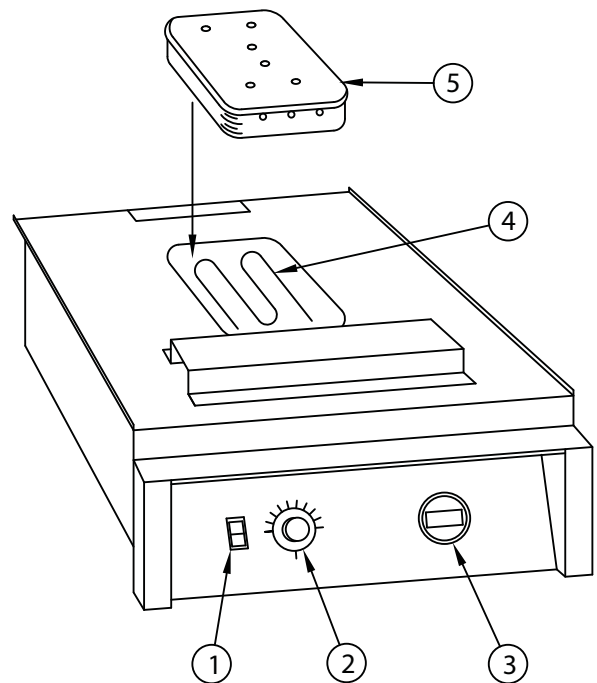
**Note:** No. 8 setting = approx. 175°F (79°C).  
 No. 6 setting = approx. 145°F (63°C).  
 No. 4 setting = approx. 115°F (46°C).

Proper food holding temperature is 140°F (60°C or higher).

The thermometer shows the temperature inside.

#### TO TURN OFF UNIT:

1. Turn thermostat off.
2. Turn the POWER switch off. The *yellow* light will go out.



#### PARTS IDENTIFICATION

1. Power Switch
2. Thermostat
3. Temperature Display
4. Heater
5. Water Pan w/cover

Hot Cabinet	<b>FL-1390-3</b>
Rev. 5 (3/10)	Page 2 of 4

## OPERATING and MAINTENANCE INSTRUCTIONS

### Models: 130B and 131B Series Hot Cabinets

#### MAINTENANCE

##### HOT UNIT REMOVAL INSTRUCTIONS:

1. Unplug power cord from wall outlet.
2. Remove screw from back of cabinet located just above the cord.
3. Slide the entire unit out the front of the cabinet.

##### HOW TO CLEAN THE CABINET:



**BEFORE** cleaning the cabinet:

- 1. Allow cabinet to cool.**
- 2. Remove Hot unit from cabinet.**
- 3. Do NOT use abrasives or harsh chemicals.**

##### Cleaning hints:

1. Wipe up spills as soon as possible.
2. Clean cabinet regularly to avoid heavy dirt build-up.
3. Make a test spot with cleaner.
4. Follow manufacturer's directions on cleaner.
5. Do not mix cleaners.
6. Avoid drips and splashes.

##### HOW TO CLEAN THE UNIT:

	Soil	Cleaner	Method
<b>CABINET and DOOR</b> <i>(Aluminum)</i>	DIRT	Mild *detergent and hot water, or mild abrasive cleaner.	1. Use soft, damp cloth. 2. Rinse with hot water. 3. Wipe dry
		Steam (no strong alkaline additive)	1. Rinse after steam cleaning. 2. Wipe dry.
Inside and Outside	FINGERPRINTS, GREASE and OIL	Chemical oven cleaner for aluminum	Follow oven cleaner manufacturer's directions.
		Mild abrasive cleaner; oily or waxy cleaner.	Apply with soft, clean cloth.
	WATER SPOTS	Mild abrasive cleaner	1. Apply with damp cloth. 2. Rinse and dry.

*\*Mild detergents include soaps and non-abrasive cleaners.*

## OPERATING and MAINTENANCE INSTRUCTIONS

### Models: 130B and 131B Series Hot Cabinets

#### TROUBLE-SHOOTING CHART:

FAILURE	POSSIBLE CAUSE
1. <i>Yellow</i> light at switch does not light.	1a. Circuit breaker/fuse to wall outlet is blown. 1b. Cord is unplugged from wall outlet or cabinet. 1c. Switch is “OFF”.
2. Unit does not heat.	2a. Thermostat set too low or is “OFF”. 2b. Water in pan may be low. 2c. Switch is “OFF”.
3. Unit gets too hot or won't shut off.	3a. Defective electrical parts. <b>UNPLUG UNIT FROM WALL OUTLET.</b>
4. Blower does not work or makes noise.	4a. Defective blower.

**Note:** Optional digital thermometer will flash if cabinet temperature is below 140°F or above 250°F.  
Call the factory if you need different settings.

*If cause is none of the above, refer to our list of Authorized Service Centers, FL-1400.  
Instructions for replacing parts are included in replacement parts kits.*

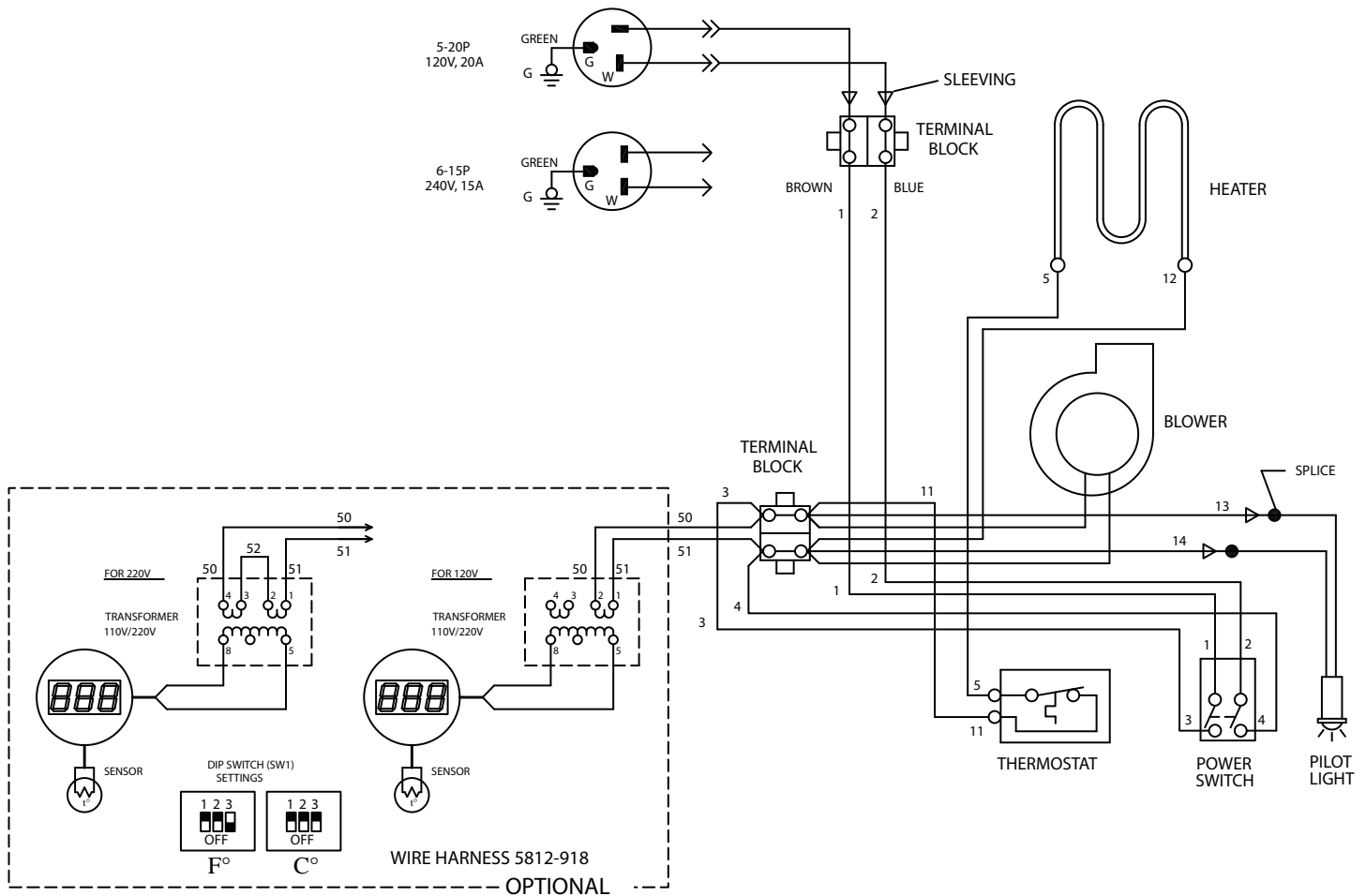
#### REPLACEMENT PARTS:

DESCRIPTION	120 VOLT	240 VOLT
Hot Unit .....	HU-18-1254-44 .....	HU-18-1254-45
Air Tunnel .....	6217 .....	6217
Water Pan, Complete .....	1017-001-03 .....	1017-001-03
Water Pan, Pan only .....	1017-010 .....	1017-010
Blower Kit .....	0769-005-K .....	0769-006-K-1
Blower Motor Cover .....	1253-289 .....	1253-289
Card Clip .....	5258-010 .....	5258-010
Heater Kit .....	0811-022-K .....	0811-023-K
Latch, Gravity type .....	1136-K .....	1136-K
Power Cord .....	0810-093 .....	0810-039
Power Switch .....	0808-116 .....	0808-116
Pilot Light .....	0766-094 .....	0766-095
Terminal Block (Front, power) .....	0852-091 .....	0852-091
Terminal Block (Rear) .....	0978-007-K .....	0978-007-K
Thermostat Kit .....	0848-062-K .....	0848-062-K
Thermometer Kit (Analog) .....	5238-030-K .....	5238-030-K
Thermometer Kit (Digital °F) .....	5238-034-K .....	5238-034-K
Thermometer °F only .....	5238-034 .....	5238-034
Transformer, 110/220V only .....	0769-159 .....	0769-159
Thermometer Kit (Digital °C) .....	5238-034-K1 .....	5238-034-K1
Thermometer °C only .....	5238-034-1 .....	5238-034-1
Transformer, 110/220V only .....	0769-159 .....	0769-159
Timer .....	0849-008-K .....	0849-009-K
Wiring Harness .....	5812-899	

Hot Cabinet	<b>FL-1390-3</b>
Rev. 5 (3/10)	Page 4 of 4

## OPERATING and MAINTENANCE INSTRUCTIONS

### Models: 130B and 131B Series Hot Cabinets



<b>ELECTRICAL SPECS.</b>
Model 1254-044 2075W, 120V, 60 Hz, 1 Ph AC Service
Model 1254-045 2075W, 240V, 60 Hz, 1 Ph AC Service