

## INSULATED HALF SIZE COUNTER TOP STAINLESS STEEL HOT CABINET MODELS H-138-NS-CC1MC5Q and H-138-NPS-CC1MC5Q

### FEATURES AND BENEFITS:

- Fully insulated 1/2 size hot cabinet keeps prepared foods at serving temperatures. Ideal for pizza and side items. Includes lighted cavity.
- Powerful, yet efficient, 1400 Watt heating system maintains the right temperature to properly hold products. Heats up to 200°F (93°C).
- Control panel has easy-to-read thermometer.
- Internal frame in body maintains structural rigidity.
- Stainless steel construction throughout for ease of cleaning. One piece extended base protects cabinet body.
- Smooth interior coved corners prevent food particles/grease buildup.
- Insulated door on front has pull handle, self-closing hinges and tempered glass window.
- High temperature magnetic latch for "easy open"; twist-lock catch secures door during transport. Door has tempered glass window.
- Standard with right hand hinging; left hand hinging available upon request. Field reversible for flexibility.
- Safety-conscious anti-microbial latch protects against spreading germs.
- Four (4) adjustable gravity-fed wire shelves.
- 4" high nickel plated legs; adjustable to 5-1/2".
- Model H-138NPS-CC1MC5Q has pass-thru design allowing access from preparation and serving area.



H-138-NS-CC1MC5Q



NSF/ANSI 4

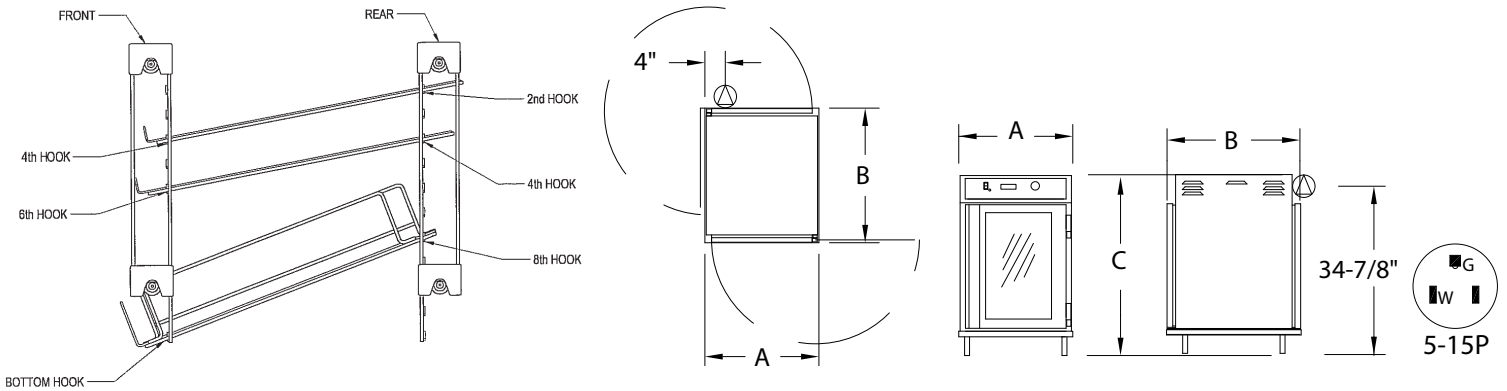


C US

### ACCESSORIES and OPTIONS (Available at extra cost):

- Magnetic Door Latch
  - Extra Wire Shelves
  - Lock Hasp
  - Pass-Thru
  - Extra Stainless Steel Angles
  - Gravity-fed Wire Shelf for side items
  - 1500 Watt, 150 Amp Power Unit
  - Custom Graphics for control panel and door
- See page B-30 for accessory details.

# H-138-NS-CC1MC5Q & H-138-NPS-CC1MC5Q



CRES COR MODEL NO.	SHELVES			DIM "A"	DIM "B"	DIM "C"	INSIDE DIMENSIONS			WEIGHT ACT.	
	CAP	SIZE		WIDTH	DEPTH	HEIGHT	WIDTH	DEPTH	HEIGHT		
H-138-NS-CC1MC5Q	4	17-3/4" x 26-1/4"	IN	25	33	40-7/8	19-7/8	28	28	LBS	302
H-138-NPS-CC1MC5Q		450 x 667	MM	635	838	1609	505	718	1475	KG	137

When ordering bumpers, add 2" to overall dimensions.

## CABINET:

- Body: Heavy duty stainless steel, 22 ga.
- Reinforcement: Heavy-duty internal framework of 18ga. stainless steel
- Insulation: Fiberglass, R-value = 6.82 at 75°F, 1-1/2" in door, 2" in sidewalls.
- Inner Top: (5) 40 Watt halogen lights.
- Interior coved corners.
- Air tunnels: Stainless steel, 22 ga.; lift out type, mounted on sides.
- Cord keeper on body side.

## BASE:

- One-piece construction, .125 aluminum.
- Legs (4): Nickel plated zinc; height adjustable 4" to 5-1/2".

## DOORS:

- Field reversible: Formed 22 ga. stainless steel.
- Door gaskets: Perimeter type, Santoprene with magnetic gasket.
- Hinges: Self-closing type.
- Full length pull handle on customer side.
- Magnetic latch: High pressure die cast zinc with anti-microbial handle on serving side.
- Door(s) have tempered glass windows.

## RACK INSERT:

- Cavity has (4) adjustable gravity-fed merchandising rack inserts: (.243 dia) nickel chrome plated steel; mounted on removable posts.

## POWER UNIT:

- Top mounted; removable with tools.
- Heater: 1370 Watts.
- Blowers (2) with intake guard.
- Thermostat: Electronic temperature control with digital temperature display. Display accurate to ±2°F.
- Power cord: permanent 10 ft.
- Switch: On/Off rocker type
- Internal vent fans.
- High limits.

## POWER REQUIREMENTS:

- 1400 Watts, 120 Volts, 60 Hz., single phase, 12 Amp. 15 Amp service.

## SHORT FORM SPECIFICATIONS

Cres Cor Half-Size Insulated (Pass-Thru Optional) Stainless Steel Hot Cabinet Model H138N(P)SCC1MC5Q. Cabinet 22 ga. stainless steel; stainless steel internal frame. Inner top has (5) 40 Watt halogen lights. Tempered glass doors on front and back, 22 ga. stainless steel. Fiberglass insulation in sides 2"; doors, top, base 1-1/2". Interior coved corners. 1400 Watt, 120 Volt power unit. (4) adjustable gravity-fed wire shelves. One piece insulated base, .125 aluminum. Adjustable legs: 4" to 5-1/2" high. 2 year parts warranty. Provide the following accessories: \_\_\_\_\_ . CSA-US, CSA-C, CSA to NSF4 listed.



Scan QR code to view Spec Sheet, Operating Manual, Wiring Diagram or to call Customer Service.

If you need a QR reader visit your App Store on your Smartphone or Tablet.



5925 Heisley Road • Mentor, OH 44060-1833  
Phone: 877/CRESCOR • Fax: 440/350-7267  
www.crescor.com

© Crescent Metal Products, Inc. 2017 All rights reserved.

*In line with its policy to continually improve its products, CRES COR reserves the right to change materials and specifications without notice.*

Made in America Since 1936