

CORRECTIONAL INSULATED STAINLESS STEEL HOT CABINET MODEL H-161-FUA-11-CM

FEATURES AND BENEFITS:

- Stainless steel construction throughout for ease of cleaning. One piece extended base with perimeter bumper to protect the cabinet body.
- Powerful, yet efficient, 1500 Watt heating system maintains the right temperature to properly hold products.
- Internal frame in body and doors maintain structural rigidity.
- Top mounted power unit secured to cabinet body; non-removable.
- Smooth interior coved corners prevent food particles/grease buildup.
- Recessed push/pull handles on both sides prevent damage to walls; allows easy maneuvering.
- 11 ga. stainless steel hinges, butt type, 270° swing; removable with tools.
- Standard with right hand hinging; left hand hinging available upon request.
- Eleven sets of 14 gauge stainless steel universal angles on 4-1/2" centers accommodate a large variety of pans sizes; rack insert removable with tools.
- Flush mounted heavy-duty paddle latch and 12 ga. stainless steel transport latch, which accepts a padlock.



H-161-FUA-11-CM



NSF/ANSI 4

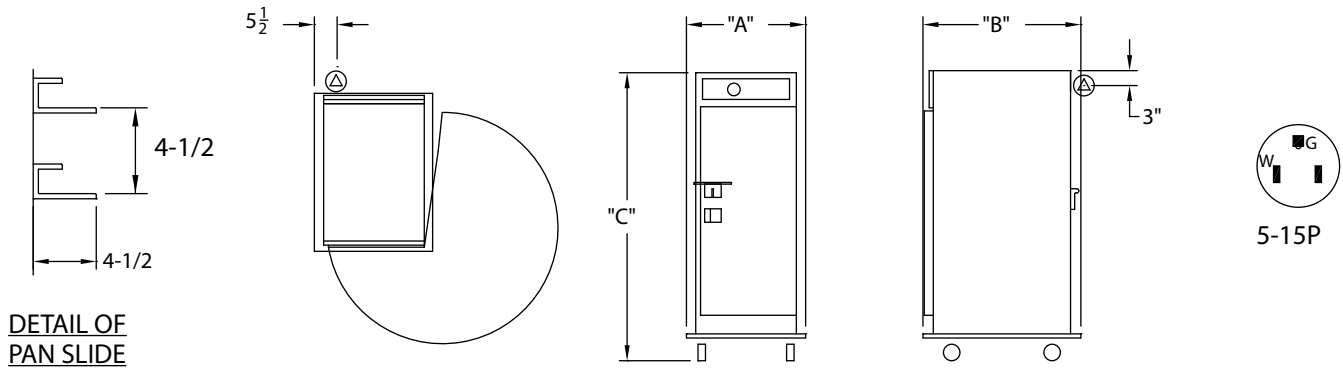


C US

ACCESSORIES and OPTIONS (Available at extra cost):

- Various Caster Options
 - 208 or 240 Volt Service
 - Upgrade to 2000 Watt Power Unit
- See page B-20 for accessory details.

H-161-FUA-11-CM



| CRES COR MODEL NO. | PAN | | | DIM "A" | DIM "B" | DIM "C" | INSIDE DIMENSIONS | | | | WEIGHT ACT. |
|--------------------|-------------|----------------|----|---------|---------|---------|-------------------|-------|--------|-----|-------------|
| | CAP/ ANGLES | SIZE | | WIDTH | DEPTH | HEIGHT | WIDTH | DEPTH | HEIGHT | | |
| H-161-FUA-11-CM | 11 SETS | SEE NOTE BELOW | IN | 31-1/2 | 38 | 74 | 21-3/4 | 27 | 55-1/2 | LBS | 521 |
| | | | MM | 800 | 965 | 1880 | 555 | 690 | 1410 | KG | 236 |

NOTE: 1. Pan sizes 22" x 20" (560 x 510) Roast & Bake Pans, 10" x 20" (255 x 510) Roast & Bake Pans, 18" x 26" (460 x 660) Bun Pans, 14" x 18" (355 x 460) Service Trays, 12" x 20" (305 x 510) Steam Table Pans.
Refer to Pan Size Chart at end of section.

ALL CONSTRUCTION IS RIVETED, WELDED AND FINISHED.
ALL EXPOSED FASTNERS ARE TAMPER PROOF.

CABINET:

- Body: Stainless steel; exterior 18 ga.; interior 20 ga.
- Reinforcement: Internal framework of 14 ga. stainless steel.
- Insulation: Fiberglass, 2-1/2" to 4" thick.
- Air tunnels: 22 ga. stainless steel, mounted on sides; removable with special tools.
- Side push/pull handles (2): 10" vertical; recessed.
- Rear push handle: 1" square stainless steel tubing.
- Interior coved corners.

BASE:

- One piece construction, .190 aluminum, welded.
- Casters: 6" dia., high modulus tires, 2" wide, load cap. 350 lbs. each, temp. range -40°/+180°F. Zerk fittings in hub. Front casters equipped with brakes.
- Gray non-marking rubber perimeter bumper 1 x 1.

DOOR:

- Non-removable; formed 20 ga. stainless steel.
- Hinges (4): 11 ga. Stainless steel with non-removable pins; 270° swing.
- Gasket: Perimeter type, silicone.
- Latch: Flush mounted, heavy duty paddle type.
- Transport Latch: 12 ga. Stainless steel with hasp.

PAN SLIDES:

- 14 ga. Stainless steel angles; riveted to tunnels; removable with tools.
- Holds (11) 18 x 26" bun pans or (22) 12" x 20" pans on 4-1/2" centers.

HOT UNIT COMPONENTS:

- Top mounted: Non-removable.
- Thermostat: Mechanical, pre-set at 180°F.
- Switch: ON-OFF rocker type.
- Power cord: Permanent, 8 ft., 10/3 ga. with straight plug.
- Heater: 1500 Watts.
- Blower motors (2).
- Vent Fans (2).
- Thermometer: Analog type with 3/8" Lexan cover.

POWER REQUIREMENTS:

- 1500 Watts, 120 Volts, 60 Hz., single phase, 12 Amps., 15 Amp. service.

SHORT FORM SPECIFICATIONS

Cres Cor Correctional Insulated Hot Cabinet Model H-161-FUA-11-CM. Stainless steel cabinet and internal frame. (11) sets stainless steel universal angles riveted on 4-1/2" centers. Non-removable stainless steel door mounted on (4) non-removable hinges. Fiberglass insulation 2-1/2" to 4" thick. 1500 Watt, 120 Volt non-removable power unit. Thermostat pre-set at 180°F. One piece insulated base, .190 aluminum, with perimeter bumper. 6" high modulus casters with zerk fittings. Load capacity 350 lbs. each. 1 year parts warranty. Provide the following accessories: _____ CSA-US, CSA-C, CSA to NSF4 listed.



5925 Heisley Road • Mentor, OH 44060-1833
Phone: 877/CRESCOR • Fax: 440/350-7267
www.crescor.com

© Crescent Metal Products, Inc. 2010 All rights reserved.

In line with its policy to continually improve its products, CRES COR reserves the right to change materials and specifications without notice.

Litho in U.S.A.