

CARVING STATIONS CSH-122-10

FEATURES AND BENEFITS:

- Attractive heated carving station keeps food piping hot and juicy.
- Flexible arm infra red lamps mounted to each end of base; adjustable arms encased in sanitary vinyl.
- Shatter resistant infra red lamps, 250 Watts each, provide heat from above. White lamps available upon request.
- Lamp hoods available in your choice of polished brass or polished nickel.
- Temperature controlled base for maximum efficiency. Separate switches for lamps and base.
- Epoxy coated sides remain cool to touch despite top surface temperatures as high as 170°F. (76.5°C.).
- Recessed base catches drippings.
- Resilient cutting board rests securely on base; will not slip.



CSH-122-10-PB

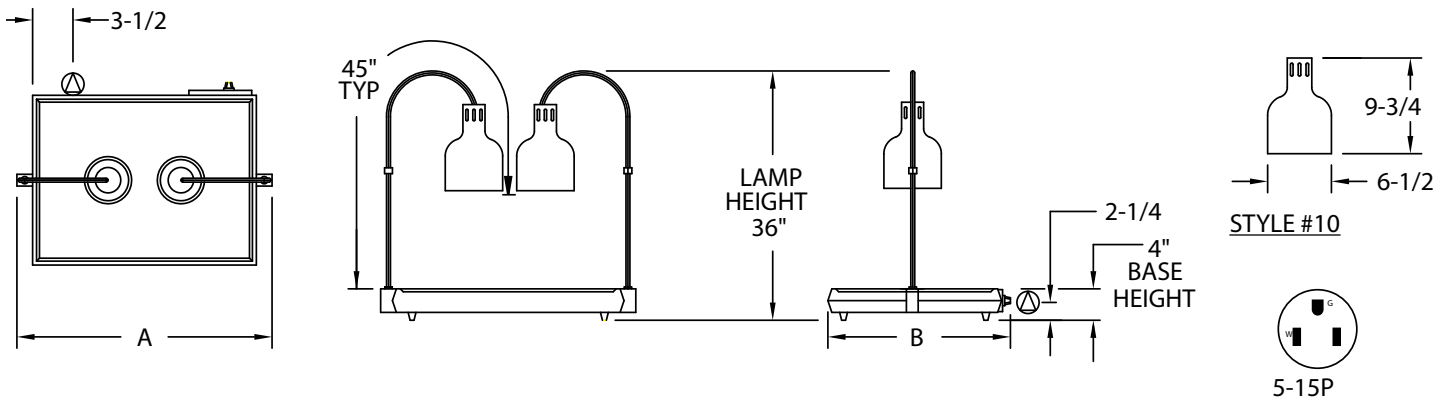


ACCESSORIES and OPTIONS (Available at extra cost):

- Sneeze Guard
- Shatter Proof Lamp
- 240 Volt Service

See page I-13 for accessory details.

CSH Series



CRES COR MODEL NO.	DIM "A" WIDTH		DIM "B" DEPTH		WEIGHT ACT.	
	INCHES	MM	INCHES	MM	LBS.	KG.
CSH-122-10	32-1/2	830	23-1/4	595	52	24

Models available:

Polished nickel hood with black powder coated base (add "PN" to end of model number) or polished brass hood with gold veined powder coated base (add "PB" to end of model number).

WARMER:

- Hood: Spun from .051 aluminum.
- Flexible tube: .585 O.D., nickel chrome plated and clear vinyl powder coated.
- Rigid tube: 5/8 O.D. x 15", nickel chrome plated steel.
- Bracket: Machined aluminum, 1-1/2 x 2 x 2-3/4; threaded for rigid tube and base bolts.

HEATED BASE:

- One piece .100 aluminum; formed, welded and finished.
- Top surface: Recessed, anodized.
- Reinforcement: Extruded aluminum angles welded to base.
- Legs (4): Chrome plated brass, adjustable 1-1/8 to 1-1/2.

CUTTING BOARD:

- High density rubber compound; NSF listed.
- CSH-122: 16 x 24 x 3/4 thick.

ELECTRICAL COMPONENTS:

- Power cord: 6 ft., 14/3 ga. with molded plug.
- Thermostat: Mechanical.
- Switches: Three ON-OFF rocker type; one for each lamp, one for heated base.
- Sockets: Porcelain.
- Lamps (2): 250 Watts each.
- Heaters (4): 150 Watts each.

POWER REQUIREMENTS:

- 1100 Watts, 120 Volts, 60 Hz., single phase, 9.2 Amps., 15 Amp. service.

SHORT FORM SPECIFICATIONS

Cres Cor Carving Station Model CSH-122-10. Hood .051 spun aluminum; powder coat finish (color: _____). Rigid stem and flexible arm nickel chrome plated. One piece .100 aluminum heated base, powder coated sides. Recessed anodized top. Resilient NSF listed cutting board. Separate switch for each lamp and base. (2) 250 Watt lamps, 600 Watt base, 120 Volts, 60 Hz., 1 Phase, 15 Amp. service. 2-Year Parts / 1-Year Labor warranty. Provide the following accessories: _____ NSF listed.



5925 Heisley Road • Mentor, OH 44060-1833
Phone: 877/CRESCOR • Fax: 440/350-7267
www.crescor.com

© Crescent Metal Products, Inc. 2014 All rights reserved.

In line with its policy to continually improve its products, CRES COR reserves the right to change materials and specifications without notice.

Litho in U.S.A.