

## ANGLE LEDGE KNOCK DOWN UTILITY RACKS MODEL 275-70-1824KD

### FEATURES AND BENEFITS:

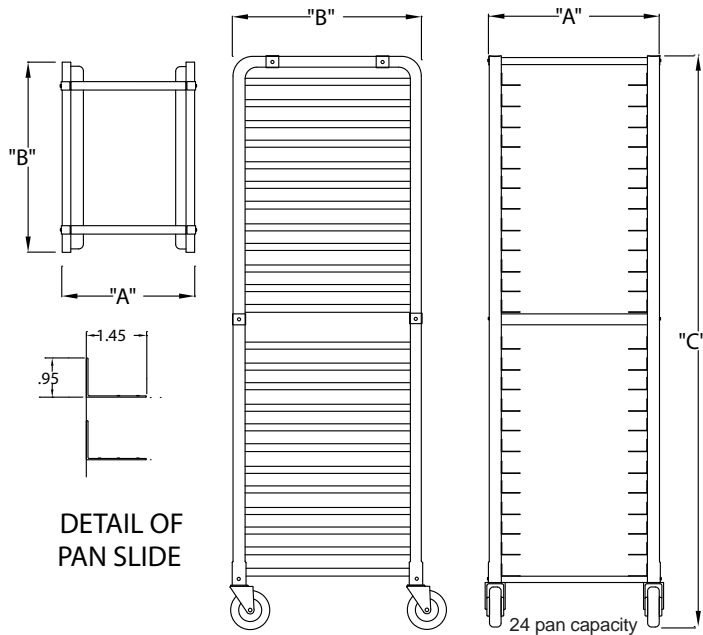
- Durable knock down utility racks for transport and storage of products on 18" x 26" pans.
- Welded framework of structural aluminum extrusions for rigidity and durability.
- Constructed of non-corrosive, Hi-Tensile aluminum for strength.
- Twenty four sets of extruded angle ledge pan supports, welded on 2-1/2" centers, accommodate heavy loads. Bottom of pan or tray rests on angle ledges.
- 5" swivel casters, provides mobility when fully loaded. Two casters equipped with brakes.



275-70-1824KD



# 275-70-1824KD



CRES COR MODEL NO.	PAN			DIM "A"	DIM "B"	DIM "C"	INSIDE DIMENSIONS			WEIGHT ACT.	
	CAP	SIZE		WIDTH	DEPTH	HEIGHT	WIDTH	DEPTH	HEIGHT		
275-70-1824KD	24	18 x 26	IN	20-1/4	26-1/2	69-3/4	18-1/8	26	61-1/2	LBS	46
		460 x 660	MM	515	675	1775	460	660	1565	KG	21

ALL WELDS ARE FINISHED.

### RACK:

- Side frames: Formed 1" square tubular aluminum.
- Top, center and bottom supports: 1" square aluminum tubing (shipped loose); fasten to side frames with screws provided.

### CASTERS:

- 5" dia. swivel, 1-1/4" wide, polyurethane. Two casters equipped with brakes.

### PAN SLIDES

- Extruded aluminum angles, 1" x 1-7/16" x .090; welded to frames on 2-1/2" centers.

### SHORT FORM SPECIFICATIONS

Cres Cor Knock Down Rack Model 275-70-1824KD. Extruded aluminum angles welded to 1" square formed tubing. Capacity (24) 18" x 26" pans on 2-1/2" centers. 5" swivel casters and supports shipped loose. 2 Year Parts / 1 Year Labor Warranty. NSF Listed.



5925 Heisley Road • Mentor, OH 44060-1833  
 Phone: 877/CRESCOR • Fax: 440/350-7267  
 www.crescor.com

© Crescent Metal Products, Inc. 2010 All rights reserved.

*In line with its policy to continually improve its products, CRES COR reserves the right to change materials and specifications without notice.*

Litho in U.S.A.