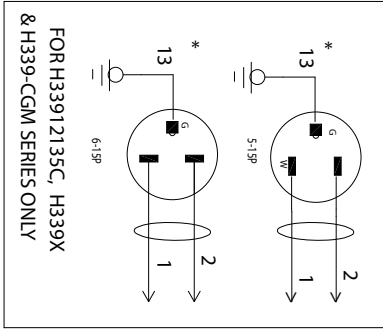
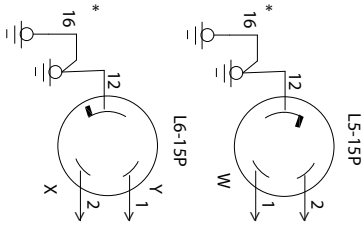


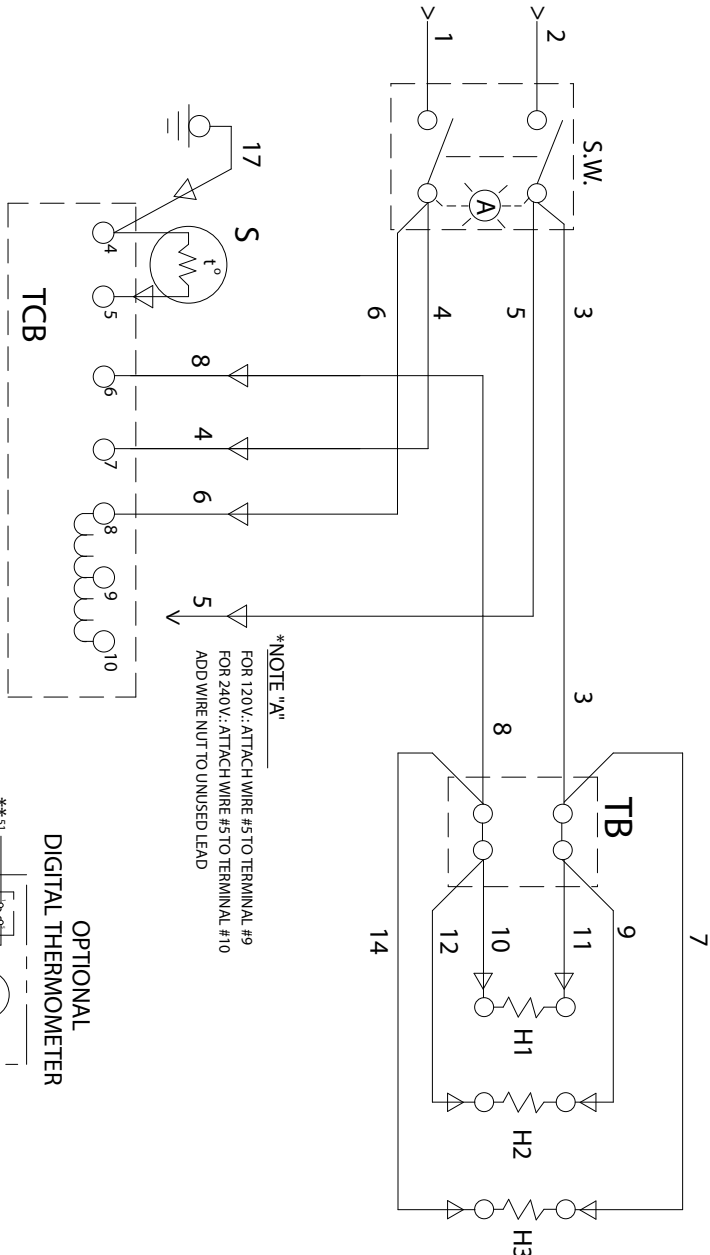
Insulated Holding Cabinet	FL-2300
Rev. 4 (5/14)	Page 4 of 4

MAINTENANCE INSTRUCTIONS

* WIRE # 13 GROUND TO INNER BODY



FOR H33912135C, H339X
& H339-CGM SERIES ONLY



*NOTE "A"
 FOR 120V: ATTACH WIRE #5 TO TERMINAL #9
 FOR 240V: ATTACH WIRE #5 TO TERMINAL #10
 ADD WIRE NUT TO UNUSED LEAD

ITEM	DESCRIPTION
H1	HEATER BOTTOM
H2&3	HEATER RIGHT & LEFT SIDE
L5-15P	FLANGED INLET/120V/15A
L6-15P	FLANGED INLET/230V/15A
S	SENSOR-AIR
S.W.	SWITCH-POWER (LIGHTED)
TB	TERMINAL BLOCK
TCB	THERMOSTAT BLEEDING (12 PLACES)

OPTIONAL DIGITAL THERMOMETER

