

|                 |                |
|-----------------|----------------|
| IFW 64 Series   | <b>FL-0314</b> |
| Rev. 13 (05/06) | Page 2 of 2    |

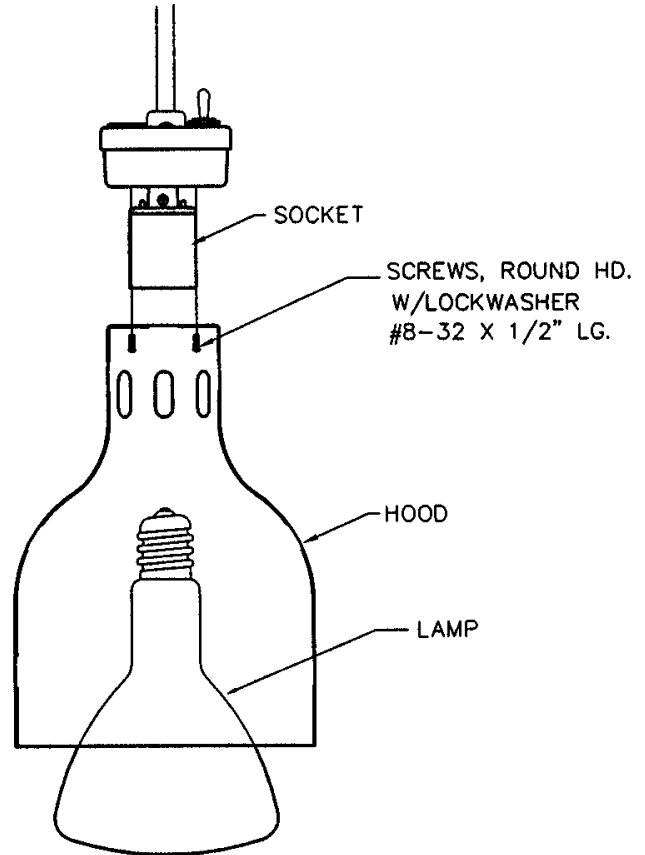
## INSTALLATION INSTRUCTIONS

### for MODEL IFW-64 SERIES RIGID STEM WARMERS

#### HOW TO INSTALL HOOD:

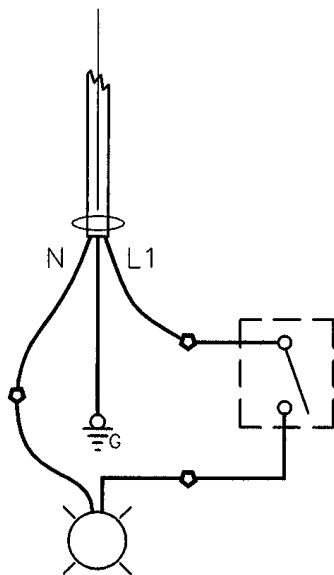
You will need a Phillips head (preferably magnetic) screwdriver with a long neck.

1. Slide the hole in the top of the hood over the socket.
2. Look inside of the hood and line up two (2) hood mounting holes with the holes in the arm assembly.
3. Put the screw provided on the screwdriver tip and screw loosely into one hole and then into the other; then tighten both screws.
4. Screw lamp into the socket.

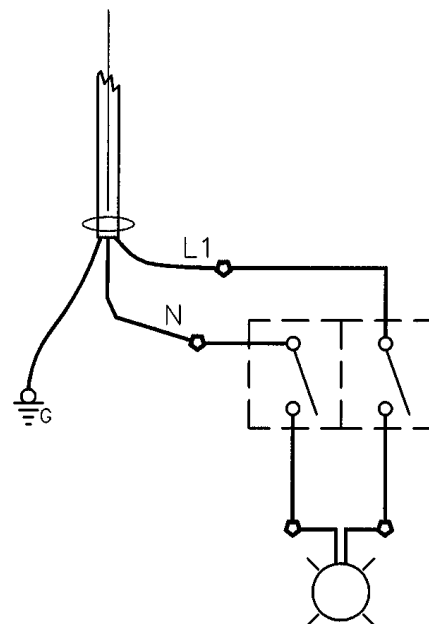


#### REPLACEMENT PARTS:

| DESCRIPTION             | CMP No.  |
|-------------------------|----------|
| Switch (120V)           | 0808-002 |
| Switch (240V)           | 0808-122 |
| Lamp, Red (250 Watts)   | 0820-001 |
| Lamp, White (250 Watts) | 0820-033 |
| Socket                  | 0822-037 |



WIRE FOR 120V



WIRE FOR 240V