

## ROLL-IN RACK for PANS and TRAYS for RR-UA16D Series Ovens and RH-UA16D Hot Cabinets

### FEATURES AND BENEFITS:

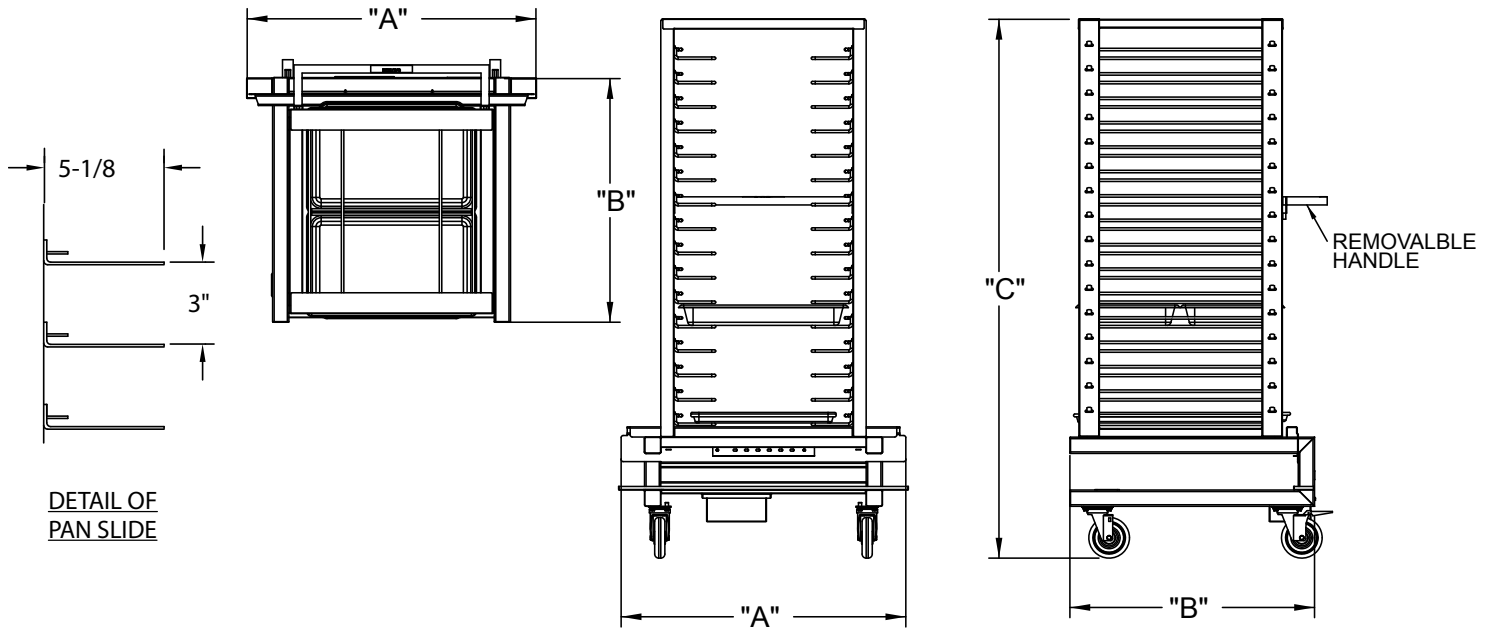
- Durable Roll-In-Rack designed for moving bulk food from prep area, central kitchen, commissary, or cooler into oven and then hold.
- Designed specifically for RH-UA16D Series ovens and RH-UA16D Roll-In cabinets.
- Fully welded stainless steel construction for rigidity and durability.
- Stainless steel angles spaced on 3" centers. Holds (16) 18" x 26" pans, or (32) 12" x 20" pans.
- Inboard heavy duty 5" swivel casters, two with swivel lock brakes. Wheel placement permits easy "in-and-out" of roll-ins.



ROR-201-UA-16-D



# ROR-201-UA-16-D



CRES COR MODEL NO.	PAN			DIM "A"	DIM "B"	DIM "C"	INSIDE DIMENSIONS			WEIGHT ACT.	
	CAPACITY	SIZE		WIDTH	DEPTH	HEIGHT	WIDTH	DEPTH	HEIGHT		
ROR-201-UA-16-D	16	18 x 26	IN	35-5/8	30-1/4	66-3/8	22	26	49	LBS	131
		457 x 660	MM	905	768	1686	559	660	1245	KG	59
	32	12 x 20									
		305 x 508									

ALL CONSTRUCTION IS WELDED AND FINISHED STAINLESS STEEL.

## ROLL-IN RACK:

- Posts, top frame, handle: 1" square tubing, .065 thick, welded together.
- Dolly bottom: 2" square, 14 ga. tubing, welded.
- 5" dia. swivel, modulus tires, 1-1/4" wide, load cap. 250 lbs. each, temp. range -45°/+180°F. Delrin bearings. Two casters equipped with swivel lock brakes.
- Removable Push/Pull Handle

## PAN SLIDES:

- (16) sets of stainless steel wire universal angles (.306 dia.), mounted on lift-out posts.
- Spaced on 3" centers; adjustable on 1-1/2" centers.



Scan QR code to view Spec Sheet, Operating Manual, Wiring Diagram or to call Customer Service.

If you need a QR reader visit your App Store on your Smartphone or Tablet.



5925 Heisley Road • Mentor, OH 44060-1833  
 Phone: 877/CRESCOR • Fax: 440/350-7267  
 www.crescor.com

© Crescent Metal Products, Inc. 2017 All rights reserved.

## SHORT FORM SPECIFICATIONS

Cres Cor Roll-In Rack Model ROR-201-UA-16-D. Specifically designed for use only with RR-UA16D Series Ovens and RH-UA16D Roll-In Hot Cabinets. Extruded and welded stainless steel construction. Holds (16) 18 x 26 or (32) 12 x 20 pans, on 3" angles. Inboard 5" swivel modulus casters, Delrin bearings. Load capacity 250 lbs. each, temperature -45° to +180°F. 2-Year Parts / 1-Year Labor warranty. Lifetime guarantee against rust & corrosion. Provide the following accessories:

*In line with its policy to continually improve its products, CRES COR reserves the right to change materials and specifications without notice.*

Made in America Since 1936