

INSULATED STAINLESS STEEL AQUATEMP™ ROLL-IN HOT CABINET WITH RACK MODEL RH-UA16W-D

FEATURES AND BENEFITS:

- Roll-In-Rack designed for moving from prep area, central kitchen, commissary, cooler, oven then hold until ready to serve.
- Fully insulated Roll-In Hot Cabinet designed for holding bulk food at safe serving temperatures.
- Powerful, yet efficient, 3000 Watt heating system maintains the right combination of heat and humidity to properly hold products.
- AquaTemp system maintains optimum food texture through continuous monitoring of both temperature and humidity. Temperature and humidity values are measured, displayed and controlled through intuitive solid state controller. Air temperature is prioritized over humidity to ensure food safety. Low water indicating LED and water heater shut off when water is at critically low level.
- All welded stainless steel construction throughout for ease of cleaning.
- High temperature ceramic magnetic latch for "easy open"; twist-lock catch keeps door securely closed.
- Capacity: Universal angle pan rack for (16) 18" x 26" or (32) 12" x 20" pans.



RH-UA16W-D



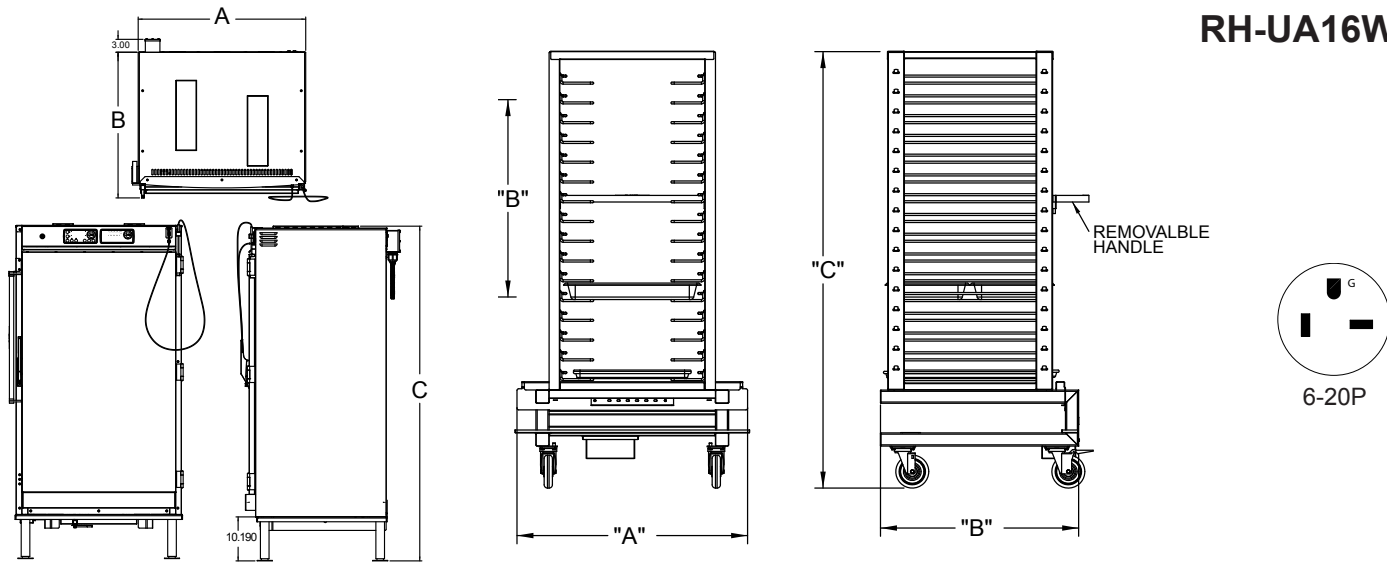
New, easier to use, easy-to-read and operate LED digital display ensures holding at precise food temperatures and moisture content.

ACCESSORIES and OPTIONS (Available at extra cost):

- Security Panel for Controls
- Key Lock Latch
- Extra Roll-In Rack

See page B-30 for accessory details.

RH-UA16W-D



CRES COR MODEL NO.	CAPACITY / SIZE		DIM "A"	DIM "B"	DIM "C"	INSIDE DIMENSIONS				WEIGHT ACT.
			WIDTH	DEPTH	HEIGHT	WIDTH	DEPTH	HEIGHT		
RH-UA16W-D	1 RACK	IN	39	33-7/8	77-5/8	32-1/8	28-3/8	56-1/4	LBS	392
		MM	991	860	1972	816	721	1429	KG	178
ROR-201-UA16D	16 ANGLES	IN	35-5/8	30-1/4	65-1/2	13-5/8	26	49-1/2	LBS	131
		MM	905	768	1663	346	660	1257	KG	59

CABINET:

- Body: 22 ga. stainless steel.
- Inner liner: Formed 22 ga. stainless steel.
- Reinforcement: Internal framework of 14 ga. stainless steel channels, welded.
- Insulation: Fiberglass, thermal conductivity (K factor) is .23 at 75°F. 1-1/2" in back wall, door, base; 2" in side walls.
- Air tunnels: 20 ga. stainless steel, lift-out type, mounted on inner sides.
- Water Pan: 4 gallons; 16 ga. stainless steel with 1850 Watt heater for humidity.

BASE:

- One piece construction, .190 aluminum.
- Legs: Heavy duty polished stainless steel 2" O.D. adjustable for leveling oven.

DOOR:

- Field reversible.
- Formed 22 ga. stainless steel.
- Latch: Chrome plated high pressure die cast zinc, composite handle, ceramic magnetic.
- Hinges: Heavy duty chrome plated die cast zinc, mounted inboard.
- Door Gasket: Perimeter type, silicone.

POWER REQUIREMENTS AVAILABLE:

- 3000 Watts, 208 Volts, 1 Phase, 60 Hz., 20 Amp. Service

HOT UNIT COMPONENTS:

- Thermostat (holding): Solid state digital display control, room ambient to 200°F (93°C).
- Thermostat (humidity): Solid state digital display control, room ambient to 95%.
- Switch: ON-OFF push button type.
- Power cord: Permanent, 10 ft., 12/3 ga.
- Heater: 3000 Watts for holding.
- Blower motor.
- Vent fan.
- Thermometer: Digital.

ROLL-IN RACK (ROR-201-UA16D):

- Angles (16 sets): spaced on 1-1/2" centers.
- 5" dia. swivel, modulus tires, 1-1/4" wide, load cap. 250 lbs. each, temp. range -45°/+180°F. Delrin bearings. Two casters equipped with brakes.

SHORT FORM SPECIFICATIONS

Cres Cor Roll-In AquaTemp™ Hot Cabinet Model RH-UA16W-D. 18 ga. stainless steel, recessed control panel. Cabinet and Dutch doors 22 ga. stainless steel; stainless steel internal frame; coved corner interior. Fiberglass insulation in sides 2"; back, doors and base 1-1/2". High temperature anti-microbial magnetic latches. One piece base .190 aluminum. 2" dia. stainless steel legs. Includes Cres Cor Roll-In Rack Model ROR-201-UA16-D: 16 angles on 3" centers; holds 32 baskets. 5" swivel modulus casters, Delrin bearings. Load capacity 250 lbs. each, temperature -45 to +180°F. 120 Volts, 60 Hz., 1 Phase. 2 year parts warranty. Provide the following accessories: _____. CSA-US, CSA-C, CSA to NSF4 listed.



Scan QR code to view Spec Sheet, Operating Manual, Wiring Diagram or to call Customer Service.

If you need a QR reader visit your App Store on your Smartphone or Tablet.



5925 Heisley Road • Mentor, OH 44060-1833
Phone: 877/CRESCOR • Fax: 440/350-7267
www.crescor.com

© Crescent Metal Products, Inc. 2017 All rights reserved.

In line with its policy to continually improve its products, CRES COR reserves the right to change materials and specifications without notice.

Made in America Since 1936