

## Electric Universal Hot Bag™ MODEL CHB6

### FEATURES AND BENEFITS:

- 120 Volt electrically insulated heated food delivery bag for up to 2 hours of hold time.
- Menu flexibility for outdoor events and catering to safely hold and deliver oven fresh food across every food category.
- This front loading electric hot bag helps maintain proper food temperatures while wicking away moisture and condensation.
- Quick connect universal power cords allow easy connect/disconnect from wall power supply to lighter plug power supply for continued heating while transporting to events.
- Designed to hold pizza boxes, but flexible enough to hold and transport other catered items.
- Bag folds flat for easy storage
- Power supply sold separately.

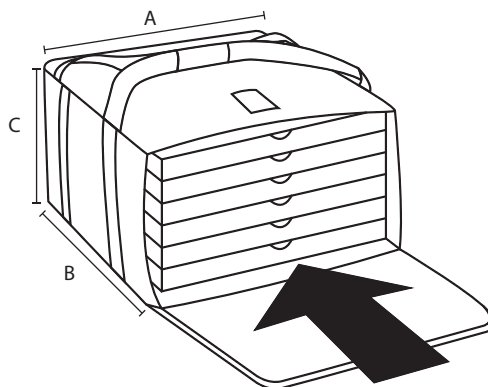


CHB6



### ACCESSORIES and OPTIONS (Available at extra cost):

- AC Power Supply
- Lighter Plug Power Supply
- Kold Keeper



CRESCOR MODEL NO.	PAN			DIM "A"	DIM "B"	DIM "C"		WEIGHT ACTUAL
	CAP	SIZE		WIDTH	DEPTH	HEIGHT		
CHB6	6	16" Pizza Box	IN	18	19	12	LBS	12
			MM	457	482	305	KG	5
	7	14" Pizza Box						

**BAG:**

- Outer body: Fabric canvas bag with corrugated plastic supports to maintain structural rigidity.
- Interior: Proprietary insulation to keep food hot or cold. Handle: Nylon with Velcro straps.
- Hot Bags provide 1 to 2 hours holding unplugged, continuous holding if plugged in.

**PAN SLIDES (Removable)**

- Heavy duty plastic panels hold pans in place.

**POWER REQUIREMENTS:**

- DC 12V 50-70 Watts/bag
- AC 120V 200 Watts/bag
- We recommend Kold Keeper or ice packets for cold food holding.



Scan QR code to view Spec Sheet, Operating Manual, Wiring Diagram or to call Customer Service.

If you need a QR reader visit your App Store on your Smartphone or Tablet.

**SHORT FORM SPECIFICATIONS**

Cres Cor Universal Hot Bag™ Model CHB6. Canvas bag hemmed and insulated for use with or without mobile power supply to transport and hold hot or cold foods for up to 2 hours. 1-Year Parts warranty. Provide the following accessories: \_\_\_\_ \_\_\_\_ \_\_\_\_ . CE and TÜVRheinland National Certification.



5925 Heisley Road • Mentor, OH 44060-1833  
 Phone: 877/CRESCOR • Fax: 440/350-7267  
 www.crescor.com

© Crescent Metal Products, Inc. 2017 All rights reserved.

*In line with its policy to continually improve its products, CRES COR reserves the right to change materials and specifications without notice.*

Made in America Since 1936